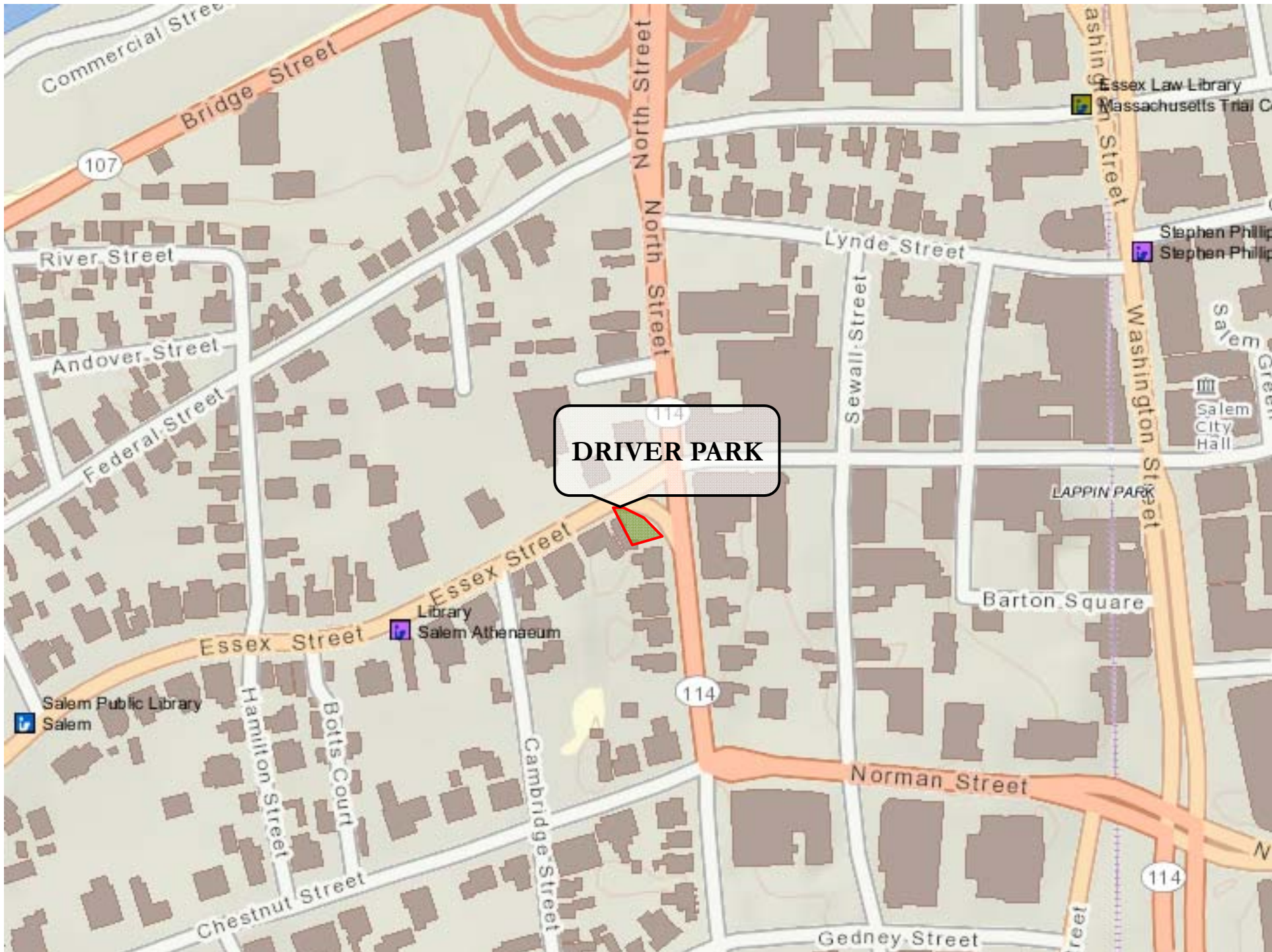


ATTACHMENT 1



DRIVER PARK

Driver Park Conceptual Plan



New waste receptacle

Additional perennial plantings in expanded front beds

Metal bed edging

New backless bench (Add Alt)

Cobble/Metal path edging (Add Alt)

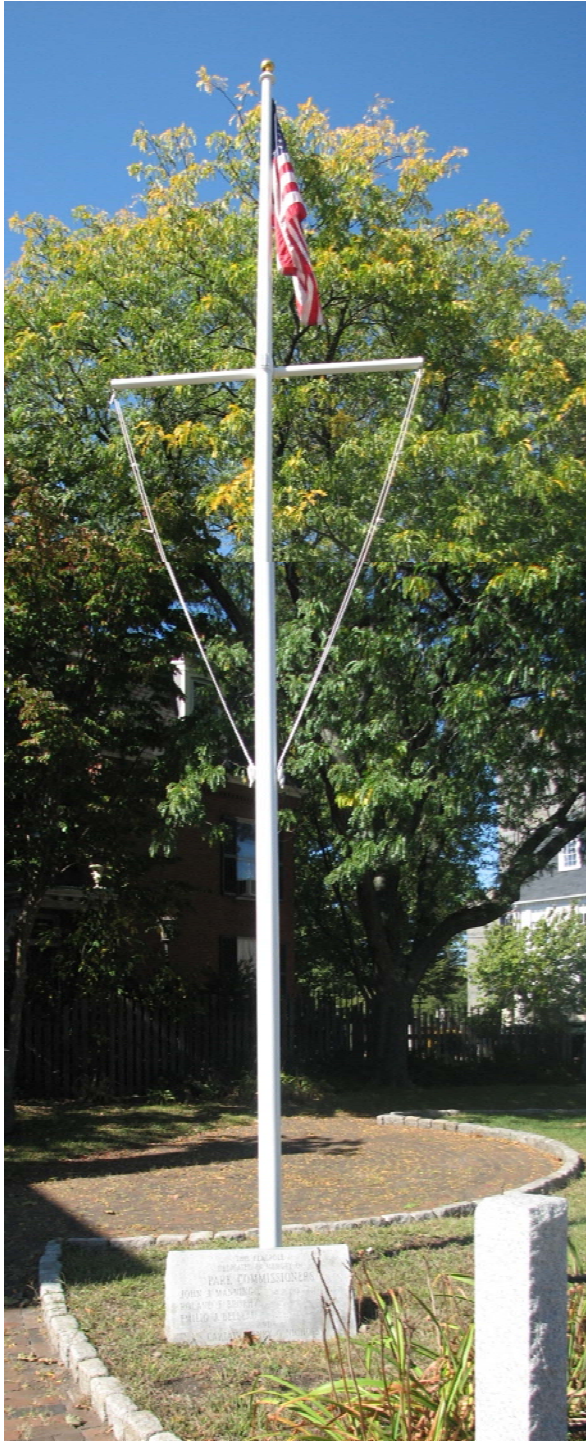
New shrubs and perennials in back beds

3 new vine trellises

1 new tree (base bid)

- Remove 1 existing tree (Add Alt)
- Install 1 new tree (Add Alt)





DRIVER PARK SUGGESTED PLANT LIST

The objectives of the planting scheme is to fill in the Park with new plantings in a color palette of red, white, and blue, to add winter interest, to emphasize native plant species, and to create an attractive & low-maintenance landscape. The plants below have been selected based on the specific site conditions at Driver Park, the existing thriving plant material, and with an emphasis on native plant species. Plantings will be maintained seasonally by volunteers, and should be hardy and low-maintenance. A water source is in place at the park, but there is no irrigation system. Plantings should not result in excessive screening of any portion of the park – site lines are to remain open for safety. A proposed planting scheme does not need to be limited to the plants below, but should be informed by the objectives stated above.

- White Flowered Plaintain Lily - *Hosta plantaginea* “Grandiflora”
- Day Lily (as existing in front planting bed) - *Hemerocallis* sp.
- Oswego Tea - *Monarda didyma*
- Sweet Fern - *Comptonia peregrina*
- Stonecrop - *Sedum* x ‘Autumn Joy’
- Lavender Giant Hyssop - *Agastache foeniculum*
- Sunset Hyssop - *Agastache rupestris*
- Blue Sage - *Salvia azurea* var. *grandiflora*
- Carolina Rhododendron - *Rhododendron carolinianum* var. *album*
- Boule de Neige Rhododendron – *Rhododendron* ‘Boule de Neige’
- Blue Baron Rhododendron – *Rhododendron* ‘Blue Baron’
- White-flowered Azalea - *Rhododendron albiflorum*
- Baker’s Flame Azalea - *Rhododendron cumberlandense* (*bakeri*)
- Pasture Rose - *Rosa carolina*
- Trumpet Honeysuckle - *Lonicera Sempervirens* “Alabama Crimson”
- Virginia Creeper - *Parthenocissus quinquefolia*
- Wintergreen - *Gaultheria procumbens*
- Armstrong Maple - *Acer* x. *freemanii* ‘armstrong’;
- Red Maple, columnar variety - *Acer rubrum* ‘Bowball’; *Acer rubrum* ‘Columnar’; *Acer rubrum* ‘Karpick’
- Mountain Laurel - *Kalmia latifolia*
- Smooth Hydrangea - *Hydrangea arborescens*
- Oakleaf Hydrangea - *Hydrangea quercifolia*
- Winterberry - *Ilex verticillata* ‘red sprite’
- Inkberry - *Ilex glabra*
- Blue Holly - *Ilex* x *meserveae* (must include both male and female plants)



P.O. Box 22326
Lincoln, NE 68542

PF: 402/421-9464 | WEBSITE: www.sitescapesonline.com
FX: 402/421-9479 | E-MAIL: info@sitescapesonline.com

TITLE *CITYVIEW
TRASH RECEPTACLE*

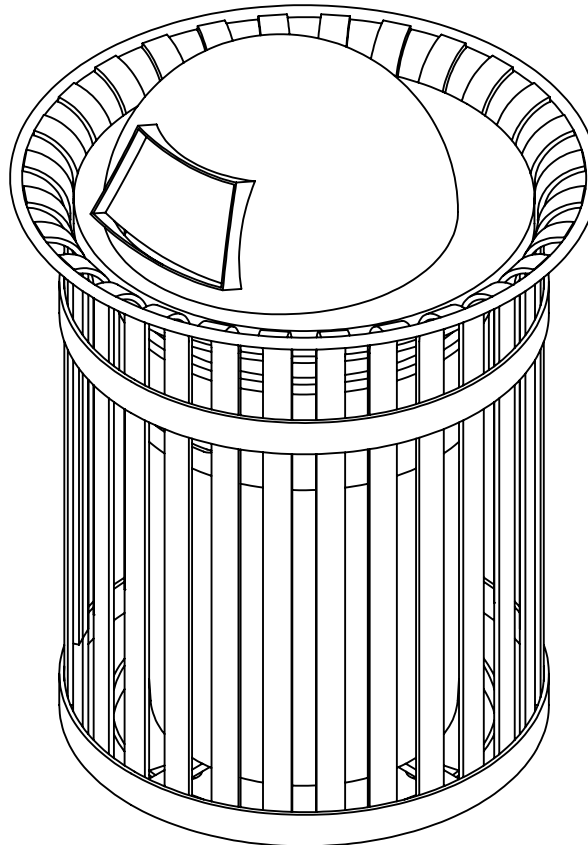
PRODUCT NO.
CV2-3003

INCH TOLERANCES U.O.S.

FRACTION-- $\pm 1/16"$
ANG----- $\pm 1^\circ$

THE INFORMATION CONTAINED IN THIS DRAWING IS THE SOLE PROPERTY OF SITESCAPES, INC. ANY REPRODUCTION IN PART OR AS A WHOLE WITHOUT THE WRITTEN PERMISSION OF SITESCAPES, INC. IS PROHIBITED.

*Available in powder coat and DuraCoat finishes





P.O. Box 22326
Lincoln, NE 68542

PF: 402/421-9464 | WEBSITE: www.sitescapesonline.com
FX: 402/421-9479 | E-MAIL: info@sitescapesonline.com

INCH TOLERANCES U.O.S.

FRACTION-- $\pm 1/16"$
ANG----- $\pm 1^\circ$

THE INFORMATION CONTAINED IN THIS DRAWING IS THE SOLE PROPERTY OF SITESCAPES, INC. ANY REPRODUCTION IN PART OR AS A WHOLE WITHOUT THE WRITTEN PERMISSION OF SITESCAPES, INC. IS PROHIBITED.

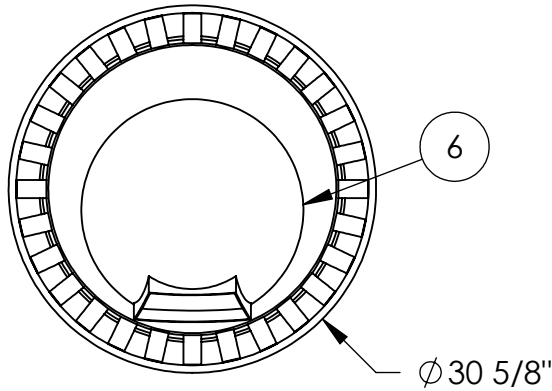
TITLE *CITYVIEW TRASH RECEPTACLE*

PRODUCT NO. *CV2-3003*

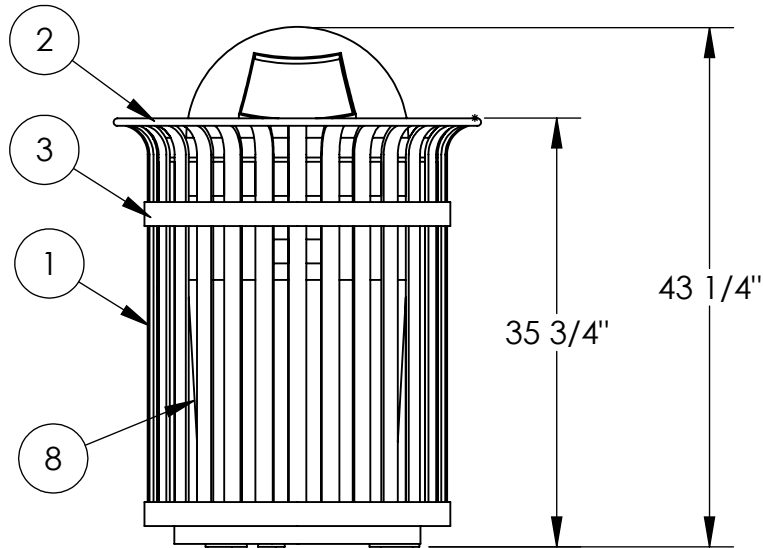
*Available in powder coat and DuraCoat finishes

Materials List

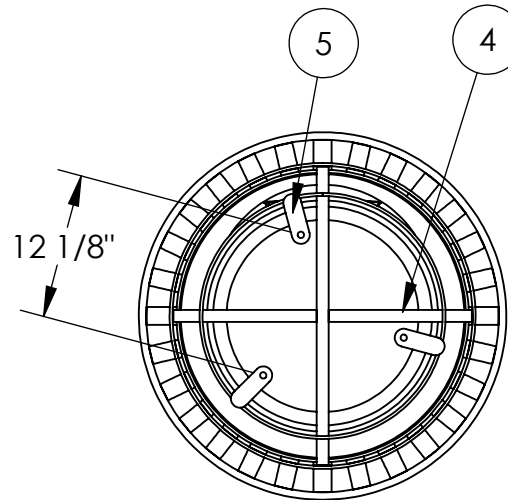
- (1) Vertical Straps - 5/16" x 1 1/2" Steel Flat Bar
- (2) Top Ring - ϕ 5/8" Steel Round Bar
- (3) Support Rings - 1/4" x 2" Steel Flat Bar
- (4) Support Bars - 1/2" x 1" Steel Flat Bar
- (5) Surface Mount Plates - 1/4" x 1 1/2" Stainless Steel Plate with 9/16" Mounting Hole
- (6) Lid - ϕ 24" with Hinging Door Attached to Basket with Stainless Steel Airline Cable
- (7) Mounted with Three ϕ 1/2" x 4-5" Stainless Steel Anchor Bolts (Customer Supplied)
- (8) 32 Gallon Rigid Plastic Liner with Handles Included



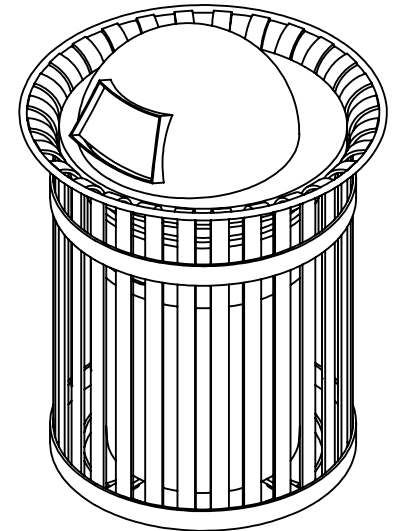
TOP VIEW



FRONT VIEW



BOTTOM VIEW MOUNTING DETAIL



Victor Stanley, Inc.

P.O. DRAWER 330 - DUNKIRK, MD 20754 USA
 TEL (301) 855-8300 - FAX (410) 257-7579

PG 1 DF 1

PRODUCT SPECIFICATIONS

CADD Department

IEWS 6

DRAWN R.D.N.

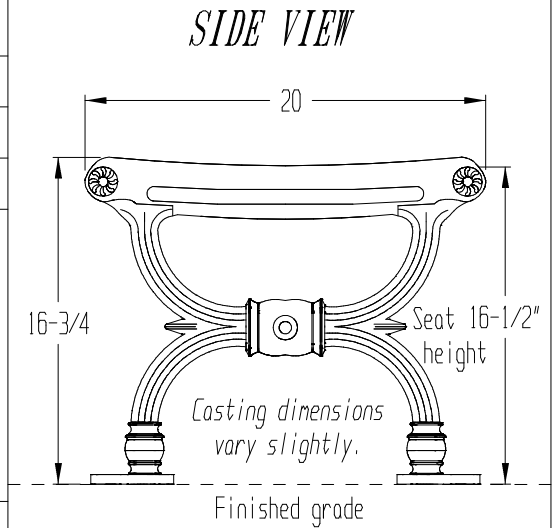
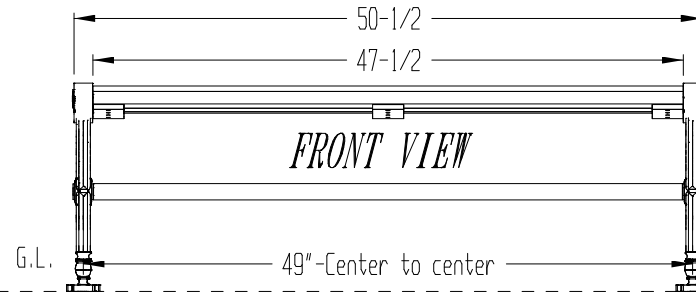
REV. 9/30/97

CLASSIC SERIES

C-5

Standard 4 Foot Length

For your convenience and economy
 this bench is shipped partially unassembled

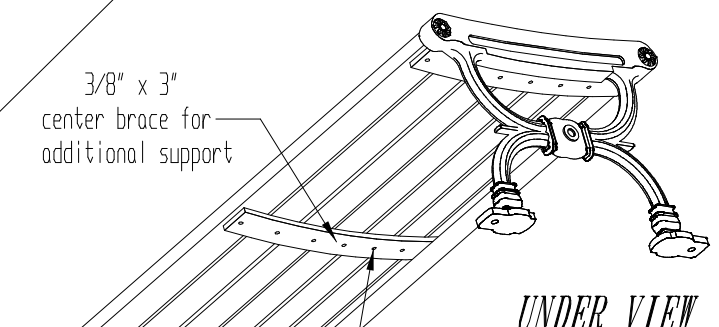
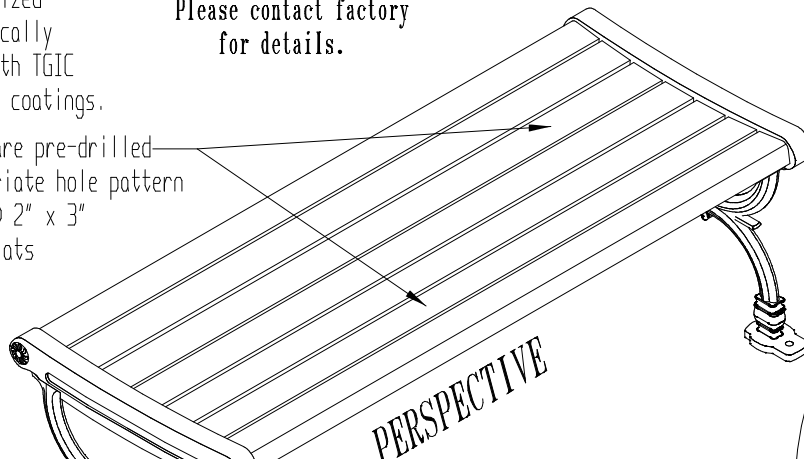


All fabricated components are steel shot-blasted, etched, phosphatized and electrostatically powder-coated with TGIC polyester powder coatings.

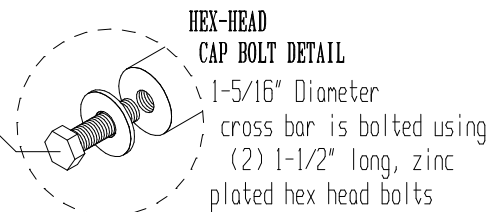
All specifications are subject to change. Please contact factory for details.

Ductile Iron castings come with a 10 year warranty against breakage

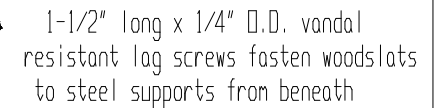
The C-5 braces are pre-drilled with the appropriate hole pattern to mount the (7) 2" x 3" (nominal) woodslats



1/2" I.D. anchor bolt holes (Anchor Bolts provided by others)



SCREW - DETAIL



It is not recommended to locate anchor bolts until assembled bench is in place.

Copyright 1997
 Victor Stanley, Inc.
 All Rights Reserved.