

# FORT PICKERING SITE IMPROVEMENTS - PHASE 2

SALEM, MASSACHUSETTS

## DRAWING LIST

L-000 COVER SHEET

### LANDSCAPE :

L-001 SITE IMPROVEMENTS  
L-002 GENERAL DETAILS

### MASONRY REPAIRS:

S-1 WALL & VAULT REPAIRS

## PREPARED BY:

**Kyle Zick Landscape Architecture, Inc.**

36 Bromfield Street, Suite 202

Boston, MA 02108

617-451-1018 Tel

www.kylezick.com

FORT PICKERING  
SITE IMPROVEMENTS  
PHASE 2

WINTER ISLAND  
SALEM, MASSACHUSETTS

CITY OF SALEM



NO.	REVISION	DATE

**kzla**  
Kyle Zick Landscape Architecture, Inc.  
36 Bromfield Street Suite 202 617 451-1018 Tel  
Boston, MA 02108 www.kylezick.com



Job Number:

Project: FORT PICKERING - PHASE 2

Drawn By: RB Checked By: KZ

Date: APRIL 5, 2017

Scale:

Drawing Title:

COVER

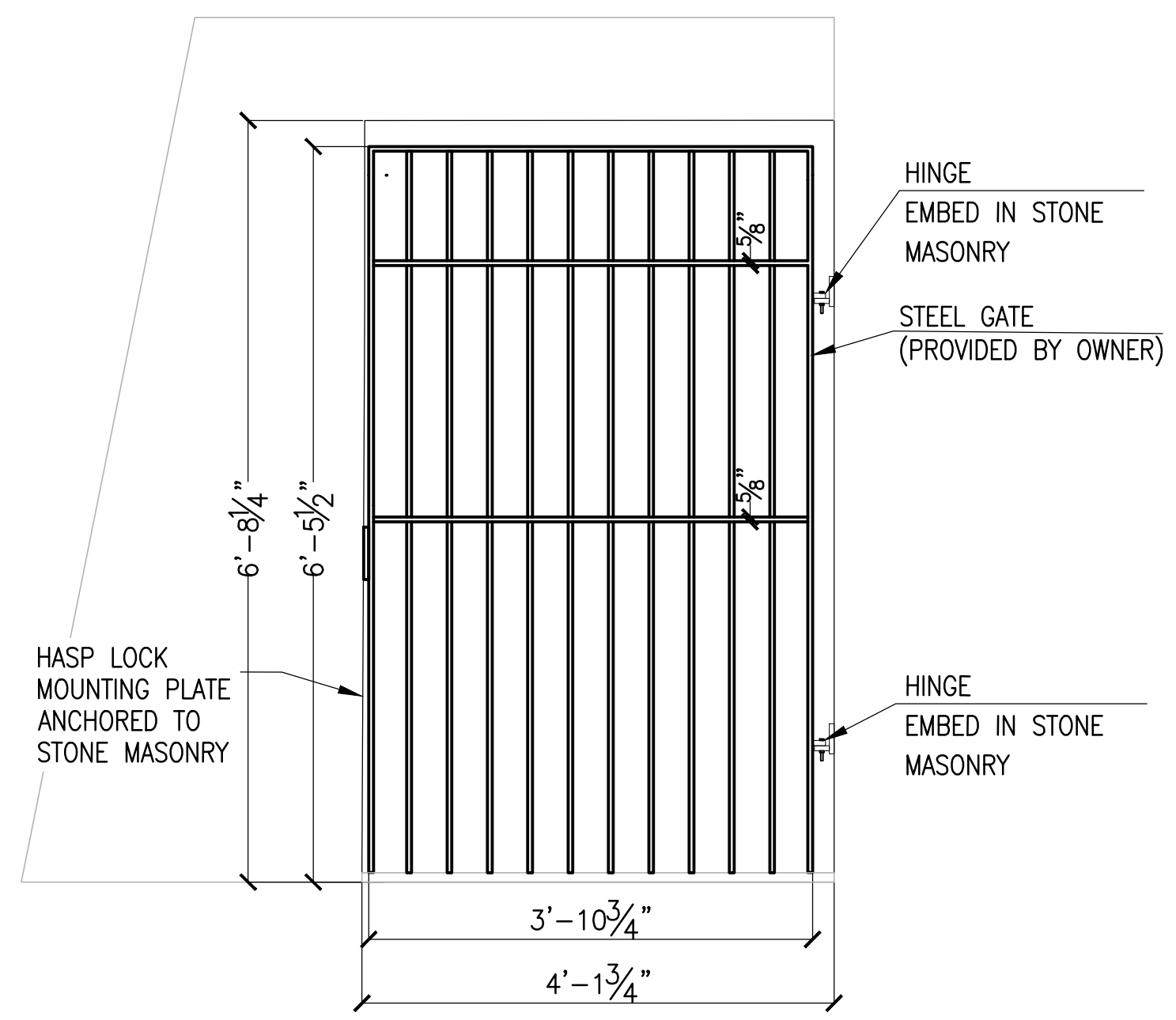
L-000



**FORT PICKERING  
SITE IMPROVEMENTS  
PHASE 2**

WINTER ISLAND  
SALEM, MASSACHUSETTS

CITY OF SALEM

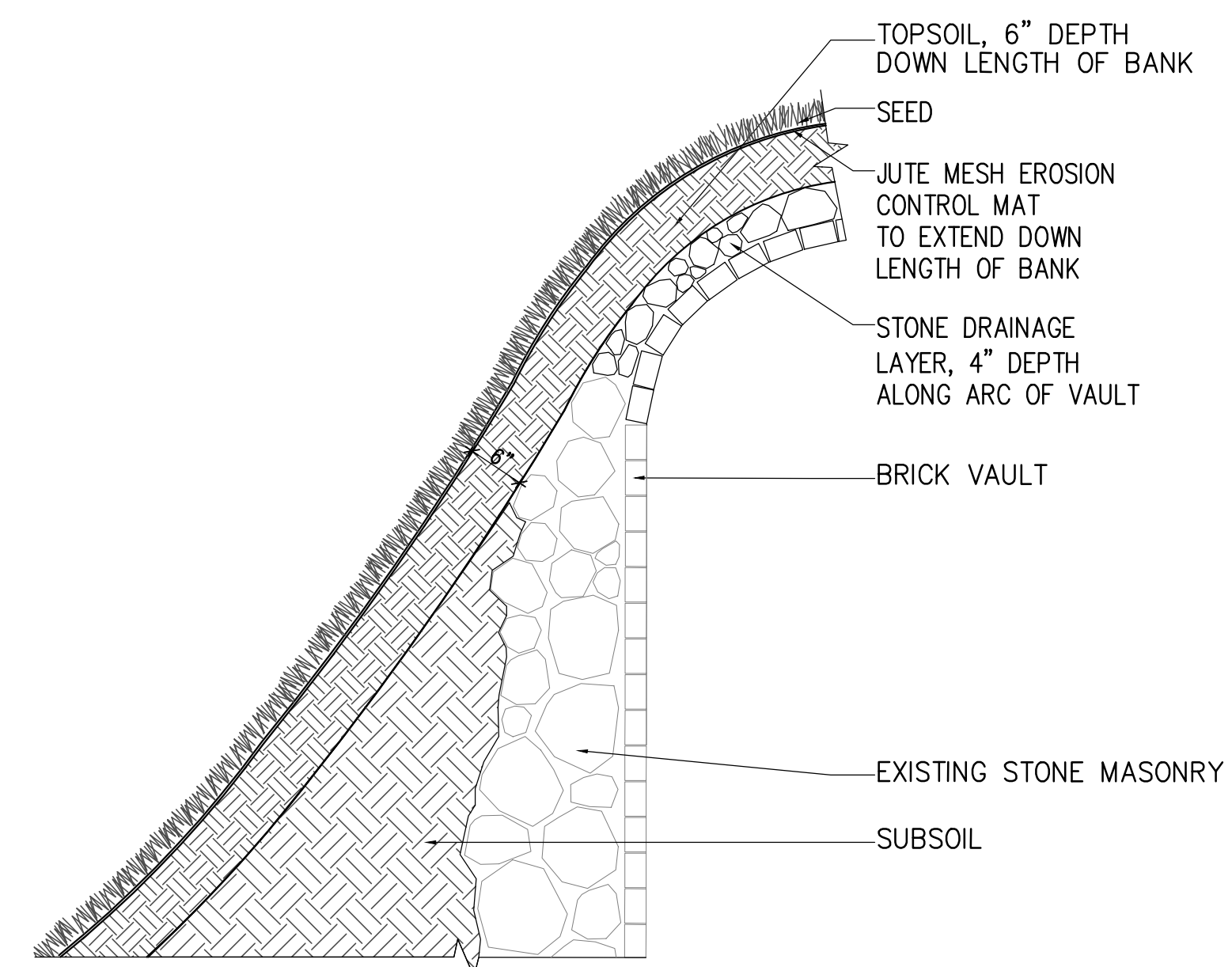


**1 MAGAZINE C GATE INSTALLATION**

SCALE: 1/16"=1'-0"

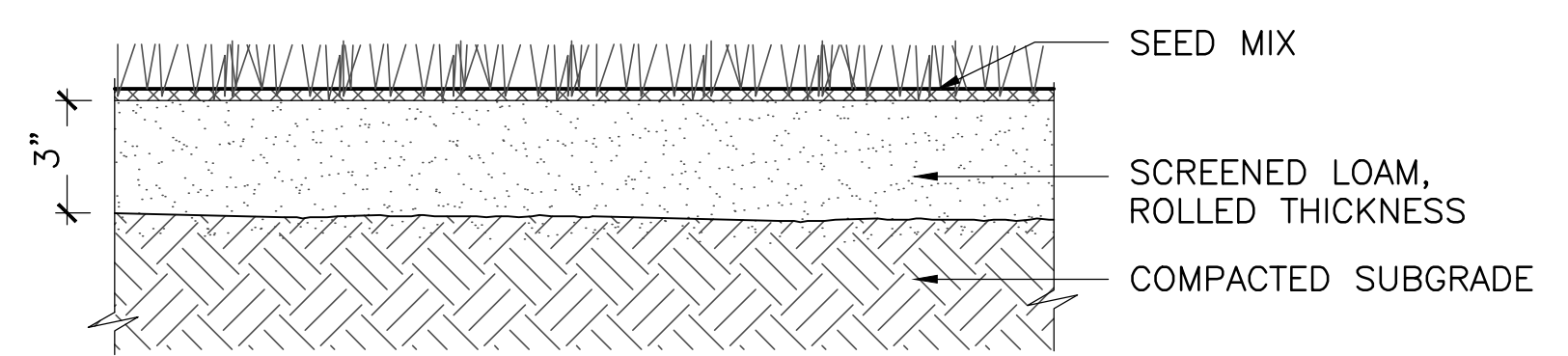
**RESTORATION NOTES**

1. GATE TO BE PROVIDED BY OWNER.
2. VERIFY ALL MEASUREMENTS IN FIELD.
3. REMOVE EXISTING PLYWOOD, WOOD FRAMING, WIRE MESH, AND CONCRETE PATCH.
4. PROVIDE LOCKED TEMPORARY CHAIN LINK GATE FOR DURATION OF TIME THAT EXISTING BARRIER IS REMOVED.
5. CLEAN, REPAIR, AND TOUCH UP PAINT AS NEEDED.



**2 MAGAZINE C SLOPE EROSION CONTROL**

SCALE: 1/16"=1'-0"



**3 SEED MIX**

SCALE: 1-1/2"=1'-0"

NO.	REVISION	DATE

**kzla**  
Kyle Zick Landscape Architecture, Inc.  
36 Bronfield Street Suite 202 617 451-1018 Tel  
Boston, MA 02108 www.kylezick.com



Job Number:  
Project: FORT PICKERING - PHASE 2  
Drawn By: RB Checked By: KZ  
Date: APRIL 5, 2017

Scale:  
Drawing Title:

GENERAL DETAILS

**L-002**



**FORT PICKERING  
SITE IMPROVEMENTS  
PHASE 2**

WINTER ISLAND  
SALEM, MASSACHUSETTS

CITY OF SALEM



**PREPARED BY:**  
**Structures North  
Consulting Engineers, INC**  
60 Washington Street, Suite 401  
Salem, MA 01970  
978-745-6817 Tel  
www.structures-north.com

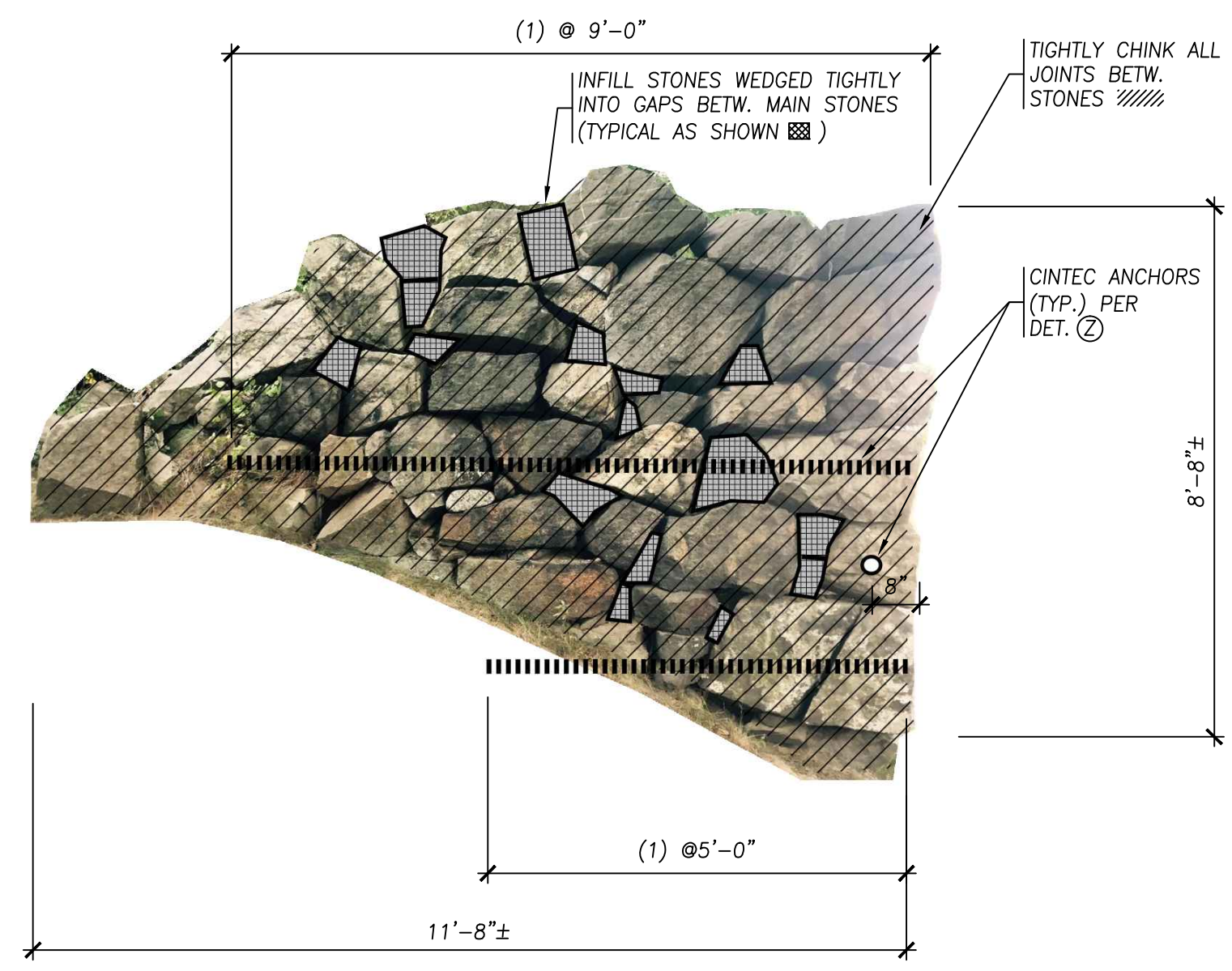
NO.	REVISION	DATE

**kzla**  
Kyle Zick Landscape Architecture, Inc.  
36 Bronfield Street Suite 202 617 451-1018 Tel  
Boston, MA 02108 www.kyzezick.com

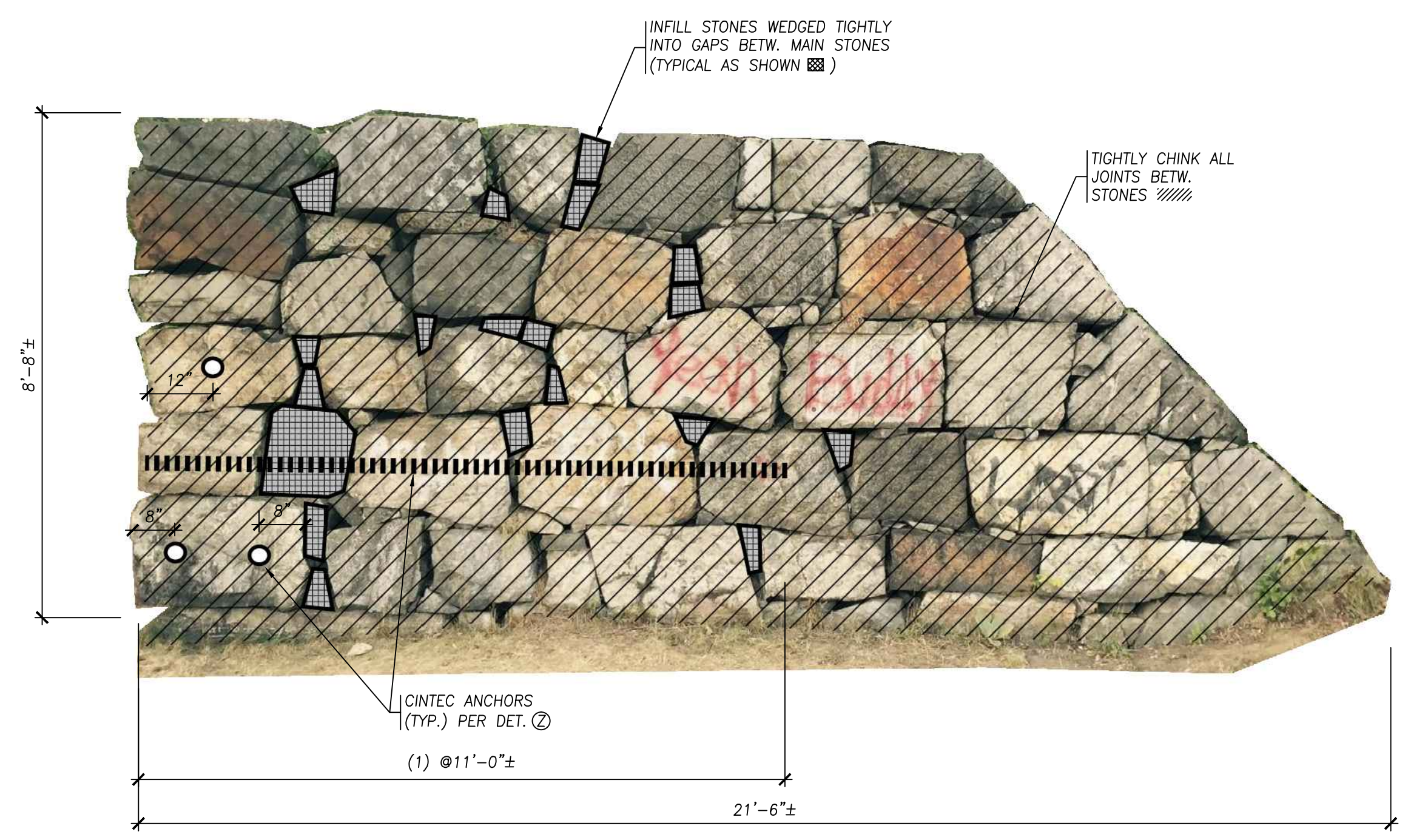
Job Number:  
Project: FORT PICKERING - PHASE 2  
Drawn By: RB Checked By: KZ  
Date: APRIL 5, 2017  
Scale:  
Drawing Title:

**WALL & VAULT  
REPAIRS**

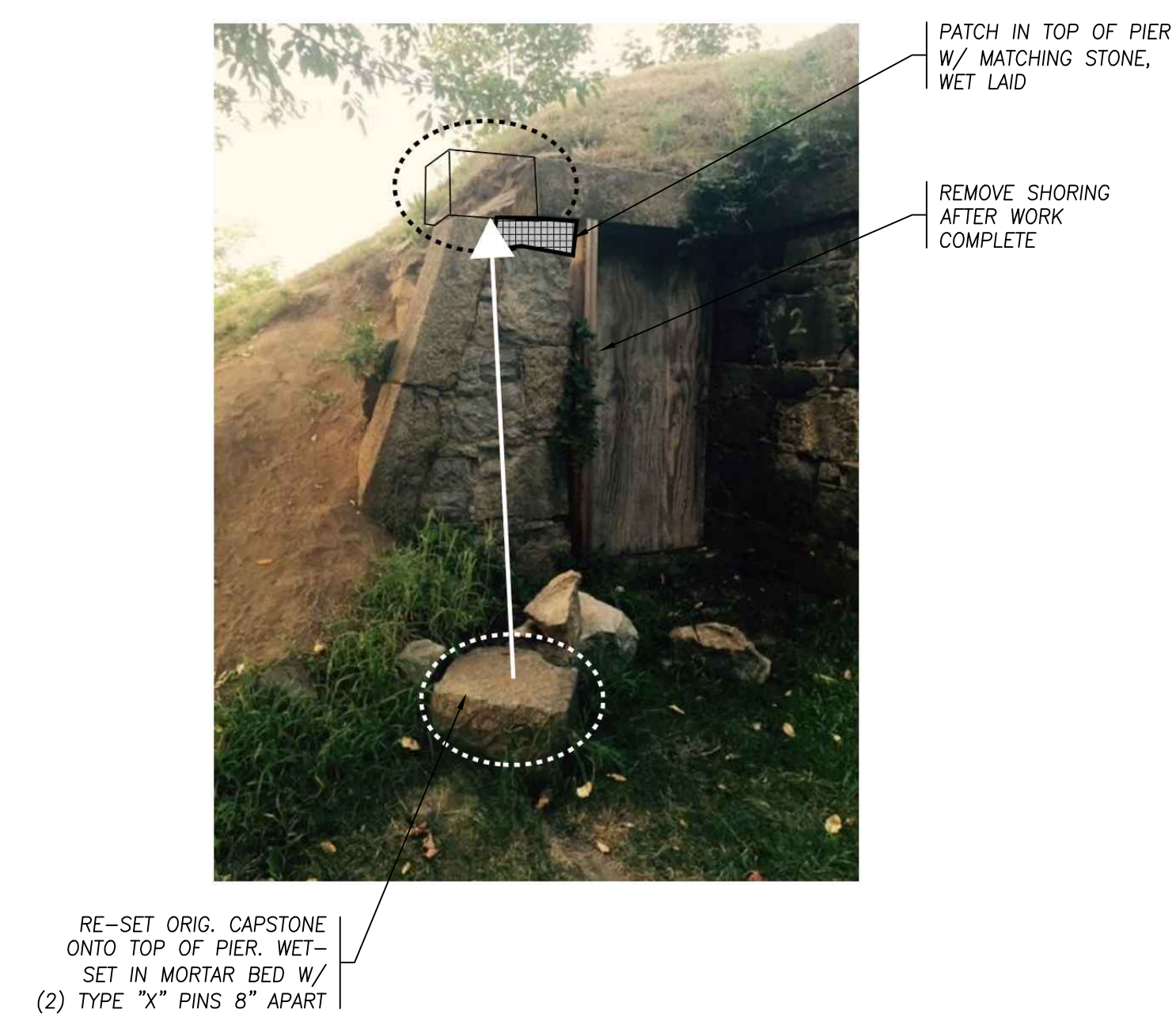
**S-1**



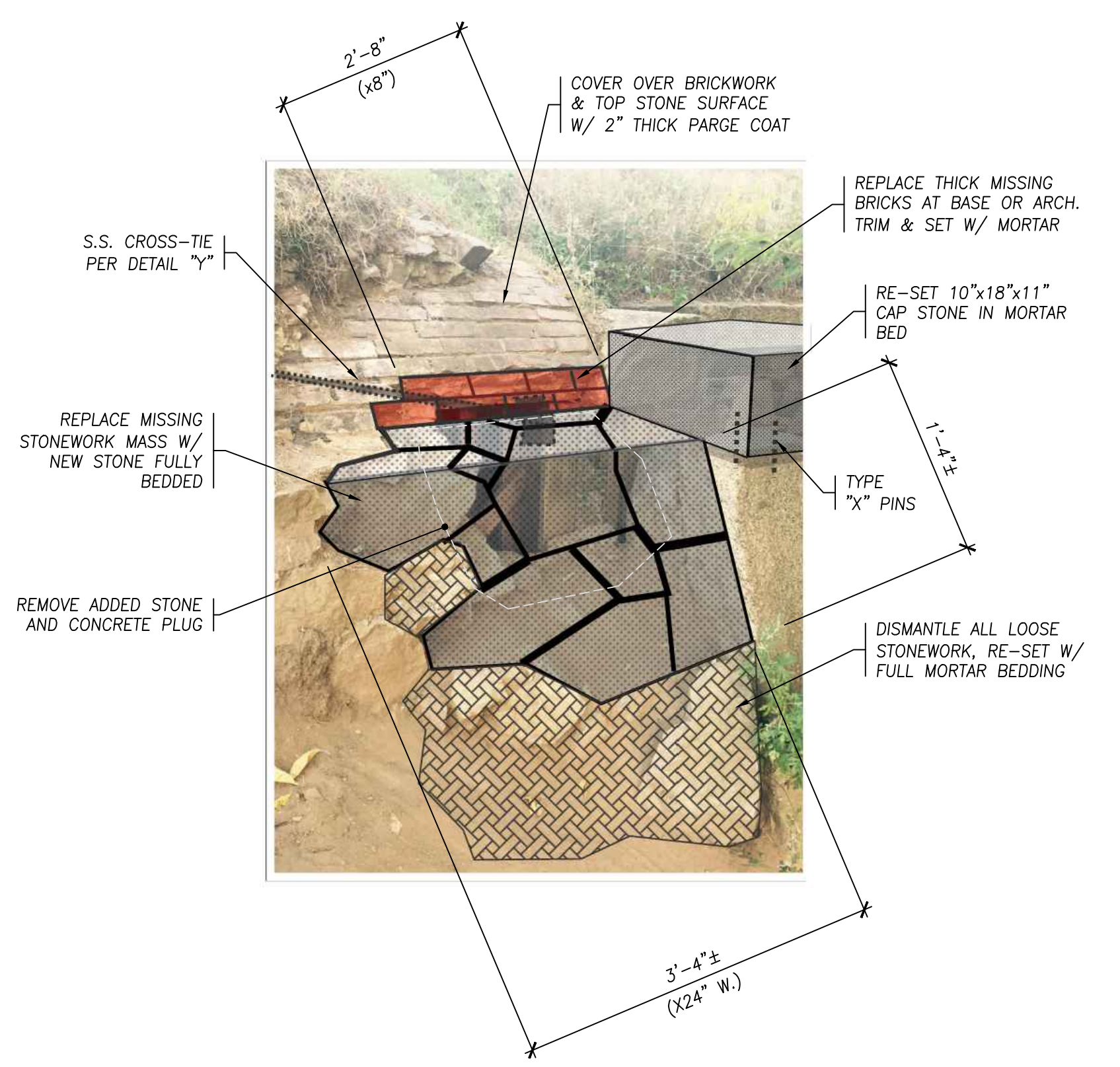
**RIFLE GALLERY WEST  
WALL REPAIR**



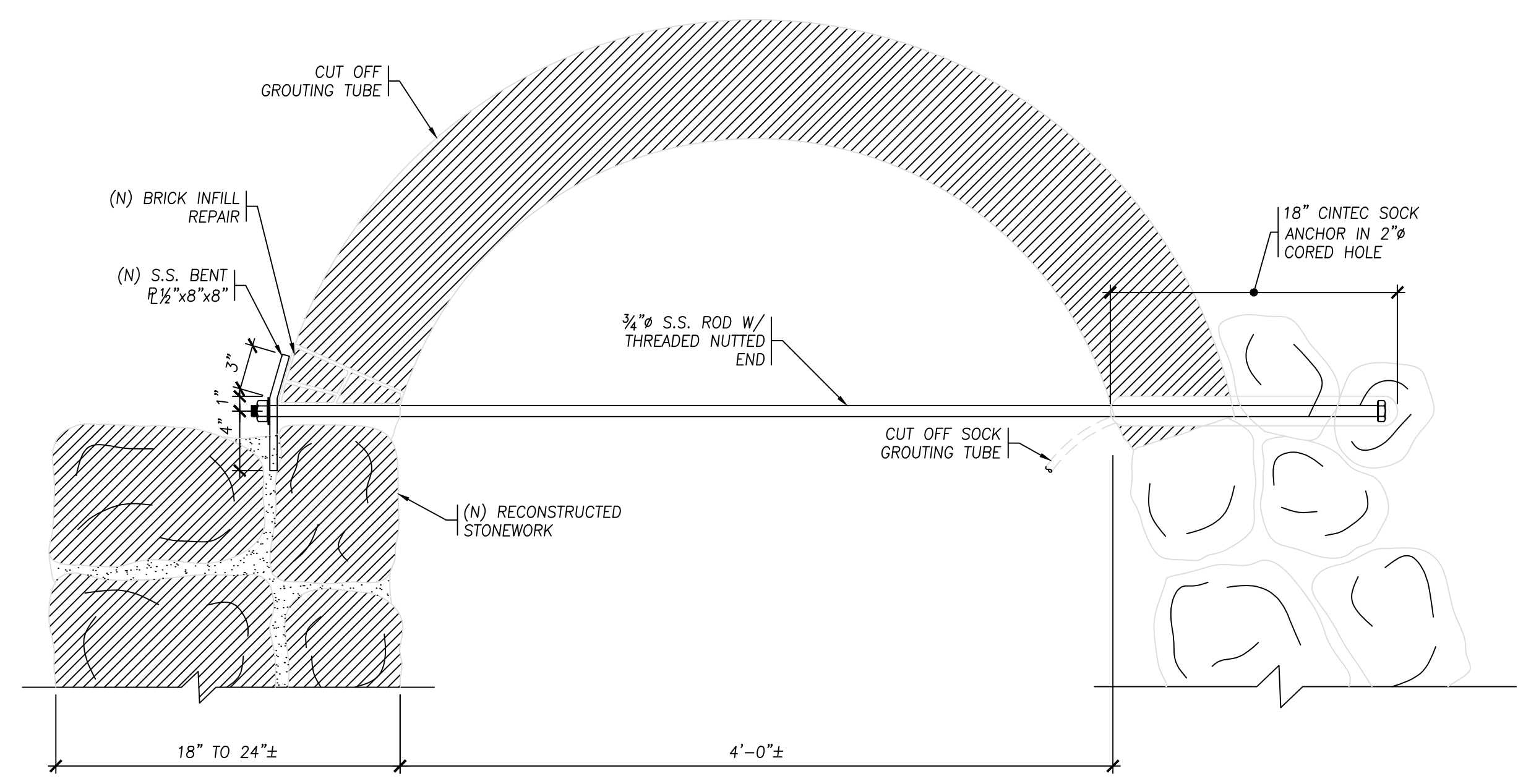
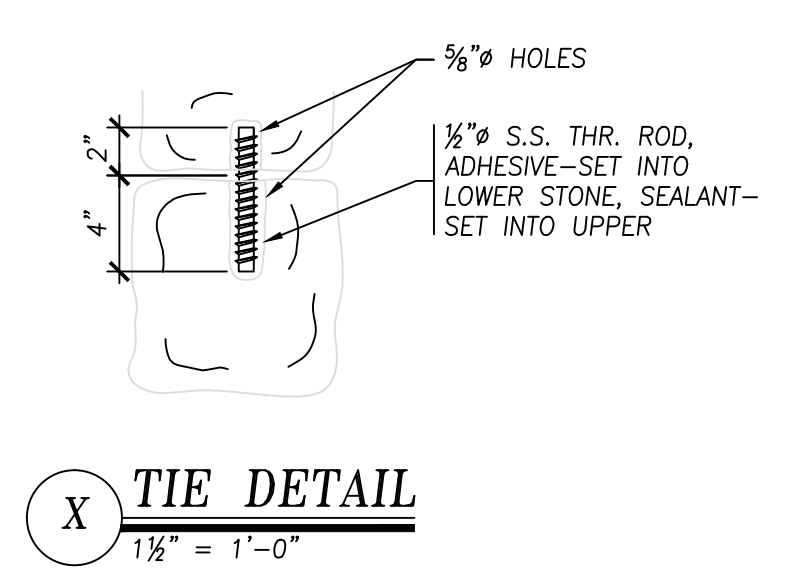
**RIFLE GALLERY SOUTH  
WALL REPAIR**



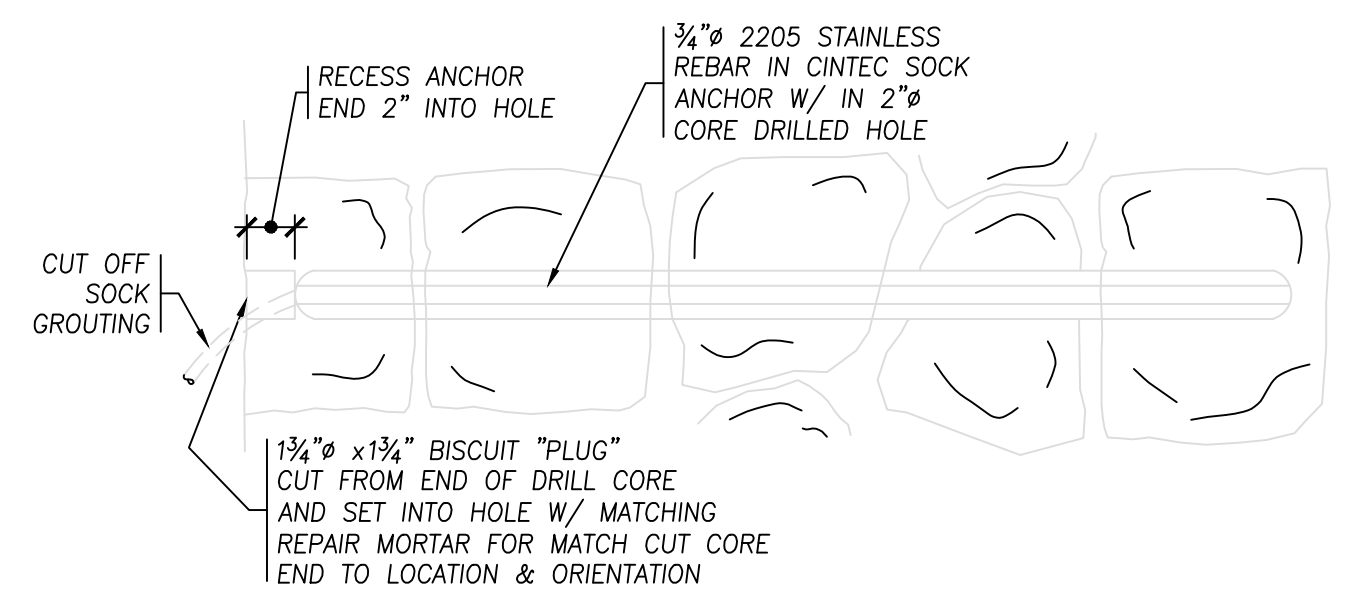
**MAGAZINE "C" ENTRANCE  
REPAIR**



**MAGAZINE "C" VAULT  
REPAIR**



**Y CROSS-TIE DETAIL**  
1 1/2" = 1'-0"



**Z CINTEC WALL ANCHOR DETAIL**  
1 1/2" = 1'-0"